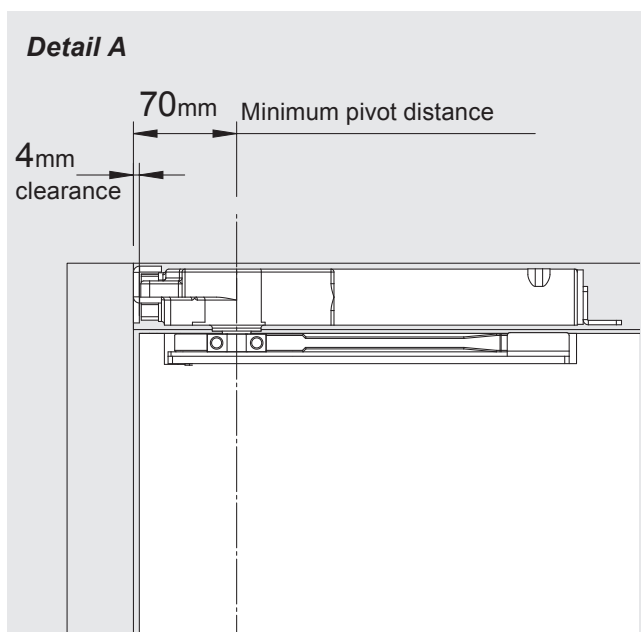
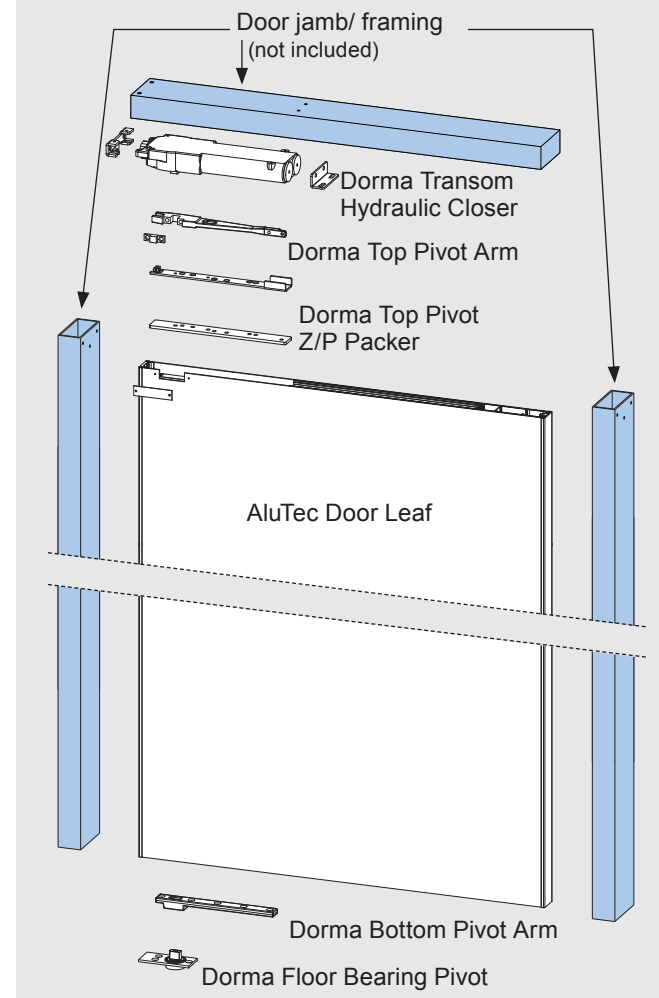


Features

- 1 Pivot gear**
pre-fitted to door
- 2 CS AluTec Door Leaf**
38mm aluminium door up to 110kg.
A wide range of colour options are available.
Maximum door size with no sheet joint: 1500 x 3000mm
or 1200 x 5000mm.
- 3 Door Clearance**
Clearance above and below door is adjustable from
10-20mm

Exploded View



How to specify (example)

Product:	~ CS Hydraulic Pivot Door System by CS FOR DOORS
Location:	~ Front entry
Door type:	~ CS AluTec 38mm
Door leaf dimensions:	~ 3.0m high x 1.0m wide
Door finish:	~ Gunmetal Grey
Pivot Gear:	~ Dorma
Handle:	~ D Pull
Pivot location:	~ 200mm

© Cavity Sliders Limited. Drawings are not to scale. All dimensions in mm.